



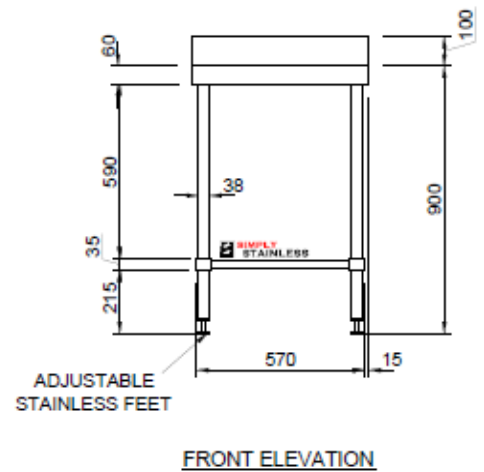
SIMPLY STAINLESS

www.simplystainless.com

Modular sinks tables and shelves



SPECIFICATION	
Tops	1.2mm gauge, high quality stainless steel, no. 4 finish, 100mm upstand, studs under for fixing accessories
Core	3mm zincalume, marine grade protective paint
Frames	38mm round stainless steel tube, satin polished, machined collars, adjustable stainless disc feet
Undershelves	1.2mm gauge, high quality stainless steel, no. 4 finish, top hat stiffening with channels



02.6	WORK (WALL) BENCH	
	Product Code	Dimensions
	02.6.0300	300mm x 600mm x 900mm
	02.6.0450	450mm x 600mm x 900mm
	02.6.0600	600mm x 600mm x 900mm
	02.6.0900	900mm x 600mm x 900mm
	02.6.1200	1200mm x 600mm x 900mm
	02.6.1500	1500mm x 600mm x 900mm
	02.6.1800	1800mm x 600mm x 900mm
	02.6.2100	2100mm x 600mm x 900mm
	02.6.2400	2400mm x 600mm x 900mm